

Maximum Load 1 - Load on Wall

Loads to be sustained by each individual anchor in the wall

Below is specified how much weight is supported by each anchor (screw) depending on the products.

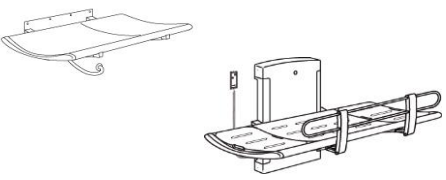
Each product has a specific number of anchors, and based on this, the load on each anchor has been calculated, both for the product sustaining normal load and the product sustaining maximum load.

On page 2 can be found a list of different anchor types and the load they can sustain when fitted into different wall types.

On page 3 it is possible to see the compatibility between each product and a specific type of wall.

On page 4 are suggestions as to how to reinforce a plasterboard wall with plywood.

These suggestions are to be considered as guidelines only.

	Product	When loaded with normal load	each anchor supports	When loaded with maximum load	each anchor supports
	Nursing Bench 3000 (powered) (R8516, R8520, R8534, R8539)	220 lbs	29 lbs	440 lbs	57 lbs
	Nursing Bench 3000 (fixed) (R8503, R8508, R8523, R8528)	220 lbs	29 lbs	440 lbs	57 lbs
	Nursing bench 2000 (powered) (R8468, R8478)	220 lbs	29 lbs	386 lbs	51 lbs
	Nursing bench 1000 (powered) (R8400, R8401, R8402, R8403)	165 lbs	22 lbs	331 lbs	44 lbs

Pressalit Care can only be held responsible for installations carried out by Pressalit Care's own installers

The above recommendations are based on experience and internal test results.

The above recommendations are to be considered as guidelines only.

Subject to alteration without further notice

Maximum Load 2 - Wall Anchors

Choosing the appropriate anchor for a specific type of wall

Wall Type	Fischer Type	Anchor Type	Maximum load
Concrete >B25	SX12	Coach Screw 0.5x3.1	507 lbs
Concrete >B25	SX12	Bolt 0.5x2.8	507 lbs
Concrete >B25	Injection Anchor FIS V		2535 lbs
Solid Brick >= Mz12	SX12	Coach Screw 0.5x3.1	165 lbs
Solid Brick >= Mz12	SX12	Bolt 0.5x2.8	165 lbs
Solid Brick >= Mz12	Injection Anchor FIS V		220 lbs
Solid Sand Lime Brick >= Hlz12	SX12	Coach Screw 0.5x3.1	485 lbs
Solid Sand Lime Brick >= Hlz12	SX12	Bolt 0.5x2.8	485 lbs
Solid Sand Lime Brick >= Hlz12	Injection Anchor FIS V		220 lbs
Hollow Brick >= Hlz12	SX12	Coach Screw 0.5x3.1	66 lbs
Hollow Brick >= Hlz12	SX12	Bolt 0.5x2.8	66 lbs
Hollow Brick >= Hlz12	Injection Anchor FIS V		220 lbs
Aerated Concrete P4	SX12	Coach Screw 0.5x3.1	110 lbs
Aerated Concrete P4	SX12	Bolt 0.5x2.8	110 lbs
Aerated Concrete P4	GB14	M0.5x4.1	198 lbs
Aerated Concrete P4	Injection Anchor FIS V		132 lbs
Hollow Sand Lime Brick >=KSL12	SX12	Coach Screw 0.5x3.1	88 lbs
Hollow Sand Lime Brick >=KSL12	SX12	Bolt 0.5x2.8	88 lbs
Plasterboard (2 x 0.5 ")	KD8	Toggle	86 lbs
Plasterboard (2 x 0.5 ") water-resistant	KD8	Toggle	128 lbs
Plasterboard (1 x 0.5 ") re-enforced with 0.9 " plywood	KD8	Toggle	293 lbs
Plywood 0.9"	KD8	Toggle	293 lbs
Chipboard 0.7"	KD8	Toggle	190 lbs

***Safety factor: 5**

Pressalit Care can only be held responsible for installations carried out by Pressalit Care's own installers.

The above recommendations are based on experience and internal test results.

The above recommendations are to be considered as guidelines only.

Subject to alteration without further notice.

Maximum Load 3 - Check List

Recommended load if wall is built in compliance with national standards

Start by finding the type of wall (on the right) in which you wish to install a product:

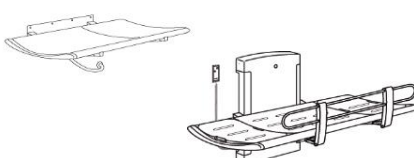

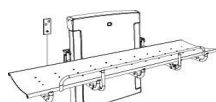
Then find the product below and see if it is compatible with the type of wall you have chosen.

✓ Compatible for maximum load (see page 1 for specification of maximum load for each product)

(✓) Compatible for normal load (see page 1 for specification of normal load for each product)

✗ Not compatible

In case of **✗** Not compatible, please refer to page 4, for suggestions on how to reinforce a plasterboard wall.

		Type of wall										
		Concrete >B25	Solid Brick >= Mz12	Solid Sand Lime Brick >= Hz12	Hollow Brick >= Hz12	Aerated Concrete P4	Hollow Sand Lime Brick >=KSL12	Plasterboard (2 x 0.5 ")	Plasterboard (2 x 0.5 ") water-resistant	Plasterboard (1 x 0.5 ") re-enforced with 0.9 " plywood	Plywood 0.9"	Chipboard 0.7"
Product												
	Nursing Bench 3000 (powered) (R8516, R8520, R8534, R8539)	✓	✓	✓	✓	✓	✓	✓	✓	✓	✓	✓
	Nursing Bench 3000 (fixed) (R8503, R8508, R8523, R8528)	✓	✓	✓	✓	✓	(✓)	(✓)	✓	✓	✓	✓
	Nursing bench 2000 (powered) (R8468, R8478)	✓	✓	✓	✓	✓	✓	✓	✓	✓	✓	✓
	Nursing bench 1000 (powered) (R8400, R8401, R8402, R8403)	✓	✓	✓	✓	✓	✓	✓	✓	✓	✓	✓

Please refer to page 4 for recommendations on how to reinforce a wall, if it the wall you have is not compatible with the product(s) you wish to install.

Pressalit Care can only be held responsible for installations carried out by Pressalit Care's own installers.

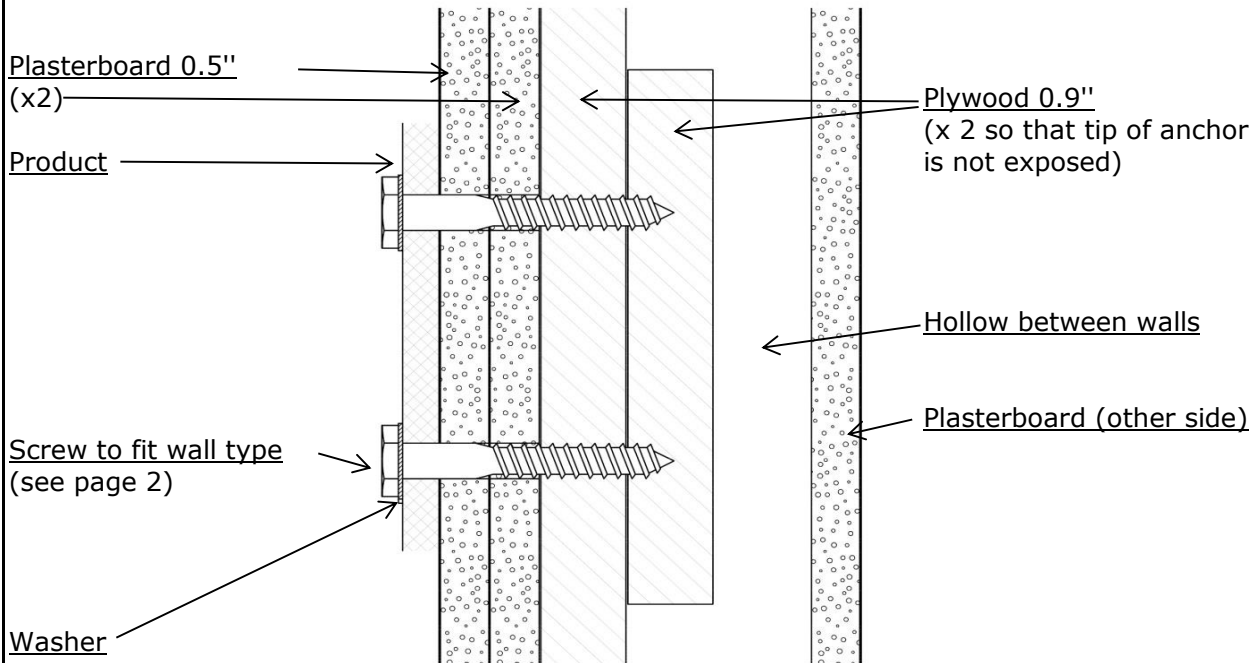
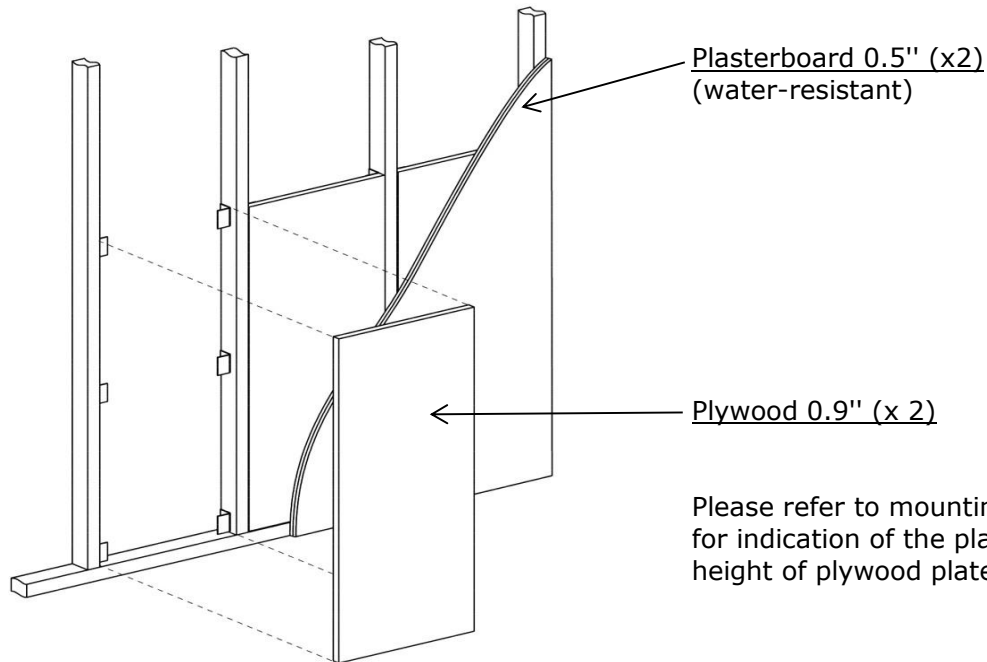
The above recommendations are to be considered as guidelines only.

The above recommendations are based on experience and internal test results.

Subject to alteration without further notice.

Maximum Load 4 - Reinforcement

Reinforcements of walls should always comply with national standards



Pressalit Care can only be held responsible for installations carried out by Pressalit Care's own installers.

Pressalit Care can not be held responsible for reinforcements made in a faulty manner.

The above recommendations are based on experience and internal test results.

The above recommendations are to be considered as guidelines only.

Subject to alteration without further notice.